

Product Name:	Erlenmeyer Flasks, Baffled
Product Application:	<p>NEST baffled Erlenmeyer Flasks is suitable for the cultivation of suspension cells and bacteria. The groove design at the bottom of the flask makes the culture medium form a vortex during the flow process, which can increase the contact area with oxygen and increase the amount of dissolved oxygen.</p> <p>The effect of culture is close to that of the Bioreactor, which can effectively improve the experimental results. Erlenmeyer flasks with baffle has strong cell viability and high protein expression in mammalian cell and insect cell culture.</p> <p>Erlenmeyer flasks with baffle are available in two designs: Conical Erlenmeyer flask & High-efficiency Erlenmeyer flask.</p>
Product Materials:	<p>polycarbonate (PC) & HDPE (cap), meets <i>USP, Class VI standards.</i></p> <p>Handle: Nylon</p>
product Specifications:	<p>Temperature range: stored at room temperature</p> <p>Shelf life: 3 Years after date of production (ensure package is in good)</p>
Sterilization:	<p>Yes.</p> <p>Sterilized by E-beam, Sterility Assurance Level: SAL=10⁻⁶. The product has been irradiated and dosimetrically released based on ANSI/AAMI/ISO 11137</p>
Pyrogens:	Non-Pyrogenic
RNase/DNase:	DNase/RNase free
BSE/TSE:	These products are deemed animal free.
Performance Testing:	<p>Each manufacturing lot is sampled and tested in accordance with standard operating procedures.</p> <p>Appearance inspection: qualified Sealing test: qualified</p> <p>Cell culture test: qualified Packaging inspection: qualified</p>
Features	<ol style="list-style-type: none"> The flask is made of medical polycarbonate (PC), which meets the ISO 10993 USP<661> Standard, has high transparency, strong impact resistance, oxidation resistance and can withstand a high temperature up to 121 °C. The vent cap with 0.22µm pore size PTFE membrane, can effectively prevent the entry and exit of microorganisms. The groove design at the bottom increases the contact area between cells and air and improves the efficiency of gas exchange, making the dissolved oxygen more adequate The product has undergone sealing test, drop test, high temperature and pressure test, flatness test, tensile test, endotoxin test, sterility test, DNase/RNase Electron beam sterilization, SAL=10⁻⁶. Individually packaged.

Product Range

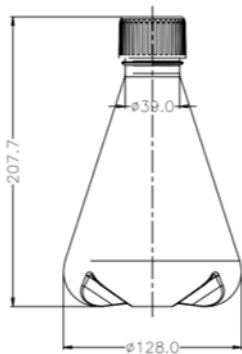
Cat. No.	Product Description	/Pack	/Case
781201	125 mL Erlenmeyer Flask, Baffled, PC, Plug Seal Cap, Sterile	1	24
781211	125 mL Erlenmeyer Flask, Baffled, PC, Vent Cap, Sterile	1	24
782201	250 mL Erlenmeyer Flask, Baffled, PC, Plug Seal Cap, Sterile	1	12
782211	250 mL Erlenmeyer Flask, Baffled, PC, Vent Cap, Sterile	1	12
783201	500 mL Erlenmeyer Flask, Baffled, PC, Plug Seal Cap, Sterile	1	12
783211	500 mL Erlenmeyer Flask, Baffled, PC, Vent Cap, Sterile	1	12
784201	1000 mL Erlenmeyer Flask, Baffled, PC, Plug Seal Cap, Sterile	1	6
784211	1000 mL Erlenmeyer Flask, Baffled, PC, Vent Cap, Sterile	1	6
785105	2 L Erlenmeyer Flask, High Efficiency, Baffled, PC, Seal Cap, Sterile	1	4
785115	2 L Erlenmeyer Flask, High Efficiency, Baffled, PC, Vent Cap, Sterile	1	4
786105	3 L Erlenmeyer Flask, High Efficiency, Baffled, PC, Seal Cap, Sterile	1	4
786115	3 L Erlenmeyer Flask, High Efficiency, Baffled, PC, Vent Cap, Sterile	1	4
786505	3 L Wild-mouth Erlenmeyer Flask, High Efficiency, Baffled, PC, Seal Cap, Sterile	1	4
786515	3 L Wild-mouth Erlenmeyer Flask, High Efficiency, Baffled, PC, Vent Cap, Sterile	1	4
787005	5 L Erlenmeyer Flask, High Efficiency, Baffled, Seal Cap, PC, Sterile	1	4
787015	5 L Erlenmeyer Flask, High Efficiency, Baffled, Vent Cap, PC, Sterile	1	4

Head Office No. 530, Xida Road, Meicun Industrial Park, Xinwu District, Wuxi, Jiangsu, China
 Tel: +86+ 510-6800 6788 Email: info@nest-wuxi.com
 Online: www.cell-nest.com

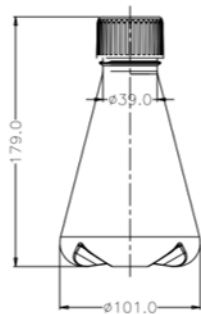
Oversea NEST USA (New Jersey/ Phoenix)
 NEST scientific 株式会社 (Yokohama, Japan)
 NEST Scientific Europe B.V (Netherlands)
 Nest Scientific (MENA) FZE (Sharjah, United Arab Emirates)

Technical Drawing

1000ml



500ml



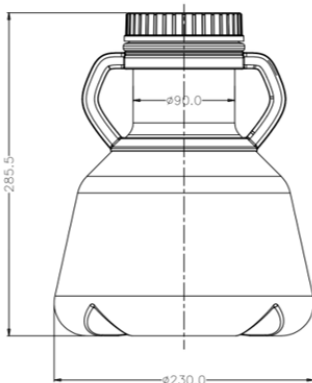
250ml



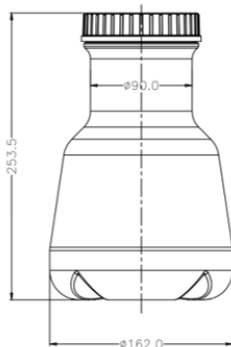
125ml



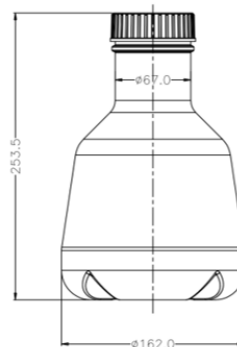
High - efficiency Erlenmeyer flask:



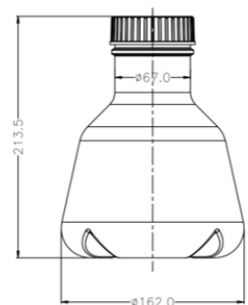
5L



3L Wild-mouth



3L



2L